



Parts Manual

Mfg. No: 1696770-00
ESXDHT82, 82V Battery Electric Hedge



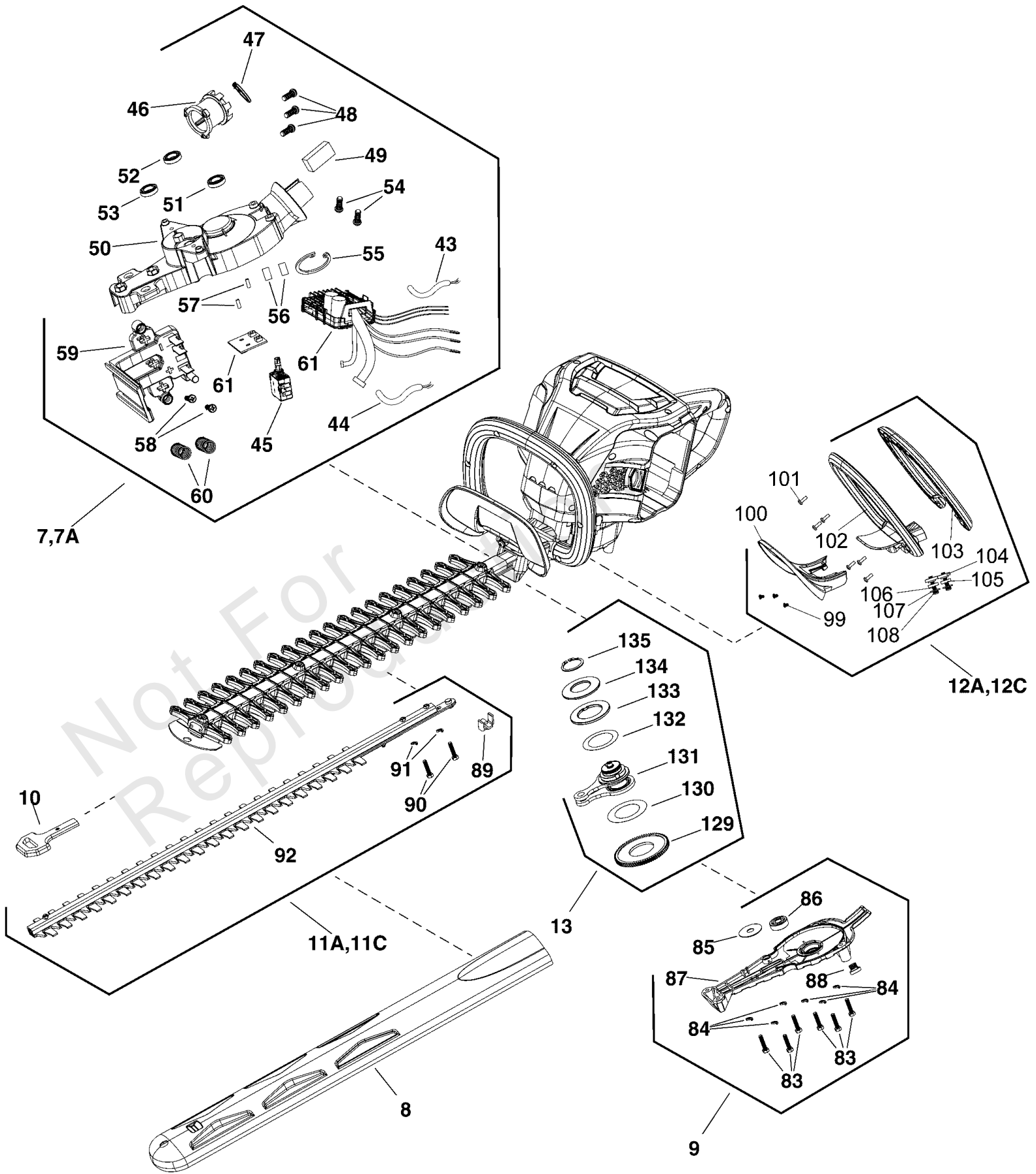
Model Components	Page
Blade Group.....	4
Powerhead Group.....	8
Torque Specification Chart.....	12

Not For
Reproduction

Blade Group

Note: Unless noted otherwise, use the standard torque specifications

Mfg. No: 1696770-00



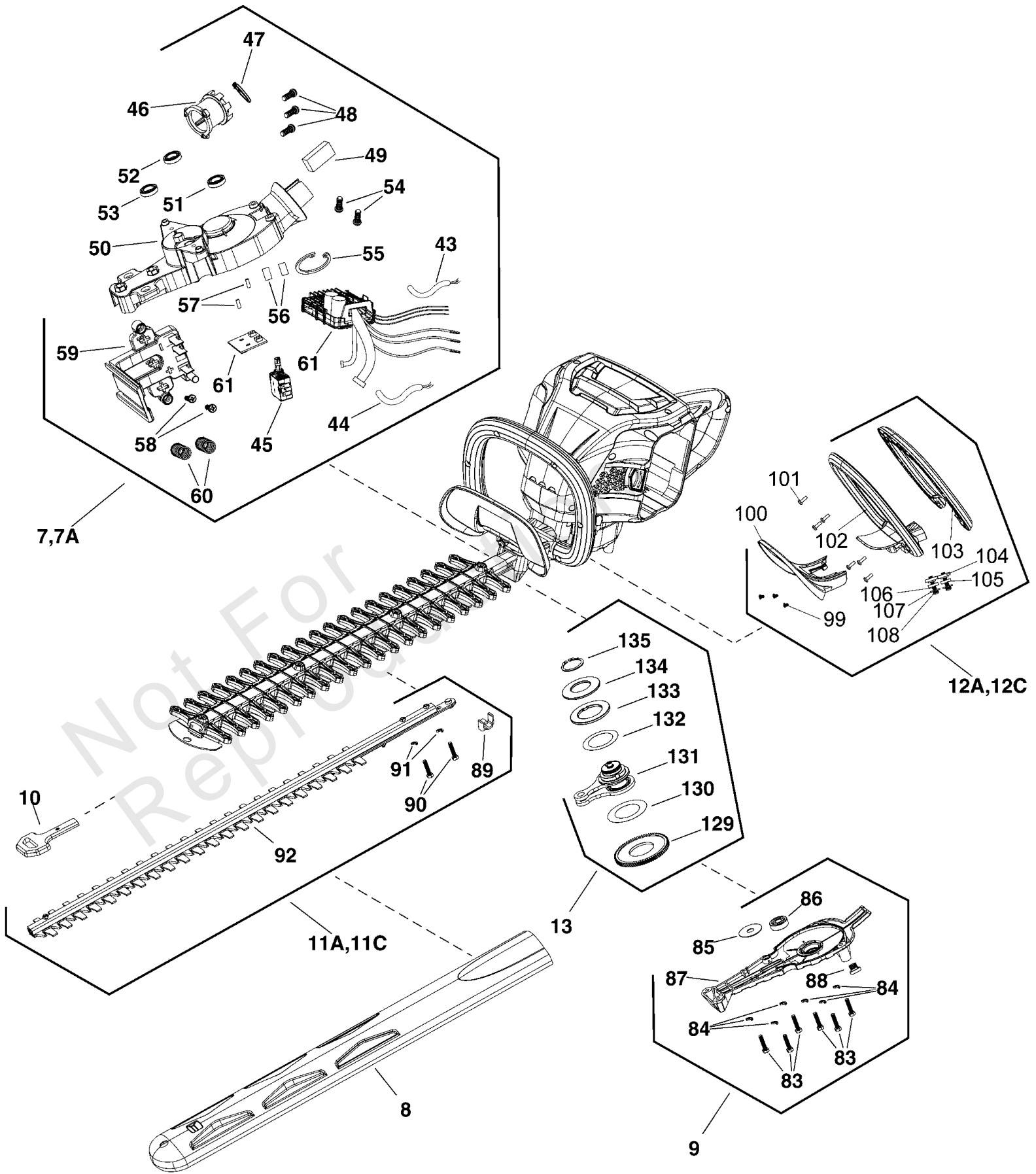
Blade Group

REF NO	PART NO	QTY	DESCRIPTION
7	770213	1	KIT, ELECTRIC & ON/OFF CIRCUIT CARD, NA
7A	770380	1	KIT, ELECTRIC & ON/OFF CIRCUIT CARD, AU & EU
43		12	SHRINK TUBE
44		10	SHRINK TUBE
45		1	SWITCH
46		1	ROTATING SLEEVE
47		1	PAD
48		3	SCREW
49		1	PAD
50		1	COVER, GEAR BOX
51		1	BEARING, BALL
52		1	BEARING, BALL
53		1	BEARING, BALL
54		3	SCREW
55		1	C-CLIP
56		2	PAD
57		2	PIN
58		2	SCREW
59		1	INSERT
60		2	SPRING
61		1	PCB
8	770214	1	GUARD
9	770215	1	KIT, GEAR CASE
83		6	SCREW
84		6	GASKET
85		1	GASKET
86		1	BEARING, BALL
87		1	COVER, GEAR BOX
88		1	PAD
10	770216	1	GUARD, TIP
11A	770217	1	KIT, BLADE ASSEMBLY, NA
11C	770461	1	KIT, BLADE ASSEMBLY, EU
89		1	BRACKET
90		2	SCREW
91		2	GASKET
92		1	BLADE
12A	770218	1	KIT, HANDLE & GUARD ASSEMBLY, NA
12C	770402		KIT, HANDLE & GUARD ASSEMBLY, EU
99		3	SCREW
100		1	GUARD
101		8	SCREW
102		1	HANDLE COVER
103		1	HANDLE COVER
104		2	PAD
105		2	PAD
106		2	SCREW
107		2	GASKET
108		2	GASKET
13	770219	1	KIT, CONNECTING ROD ASSEMBLY
129		1	GEAR
130		1	GASKET

Blade Group

Note: Unless noted otherwise, use the standard torque specifications

Mfg. No: 1696770-00



Blade Group

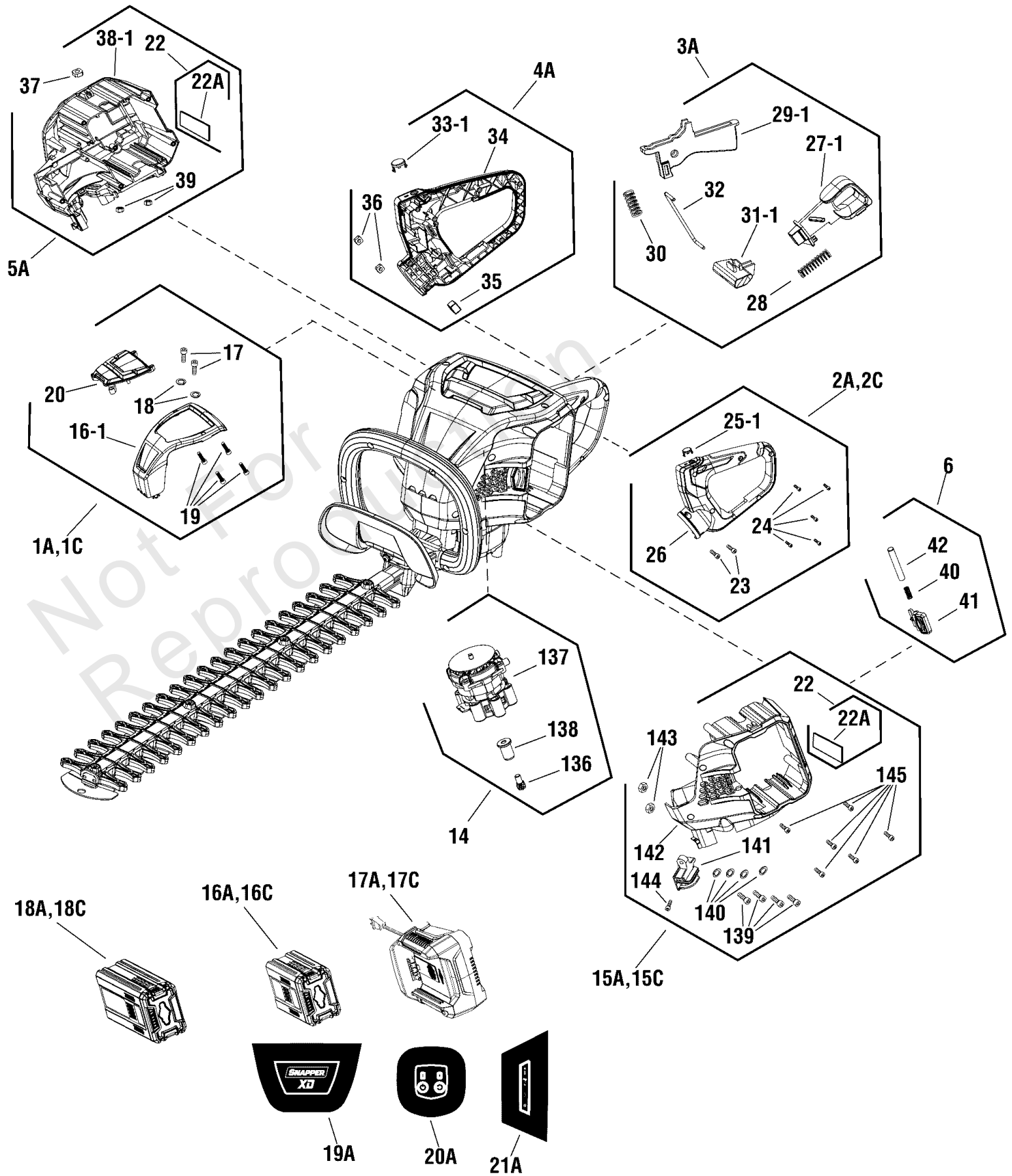
REF NO	PART NO	QTY	DESCRIPTION
131		1	CAM BLOCK
132		1	GASKET
133	CM-33900897	1	RING, LINK
134	CM-33900897	1	RING, LINK
135		1	CLIP

Not For
Reproduction

Powerhead Group

Note: Unless noted otherwise, use the standard torque specifications

Mfg. No: 1696770-00



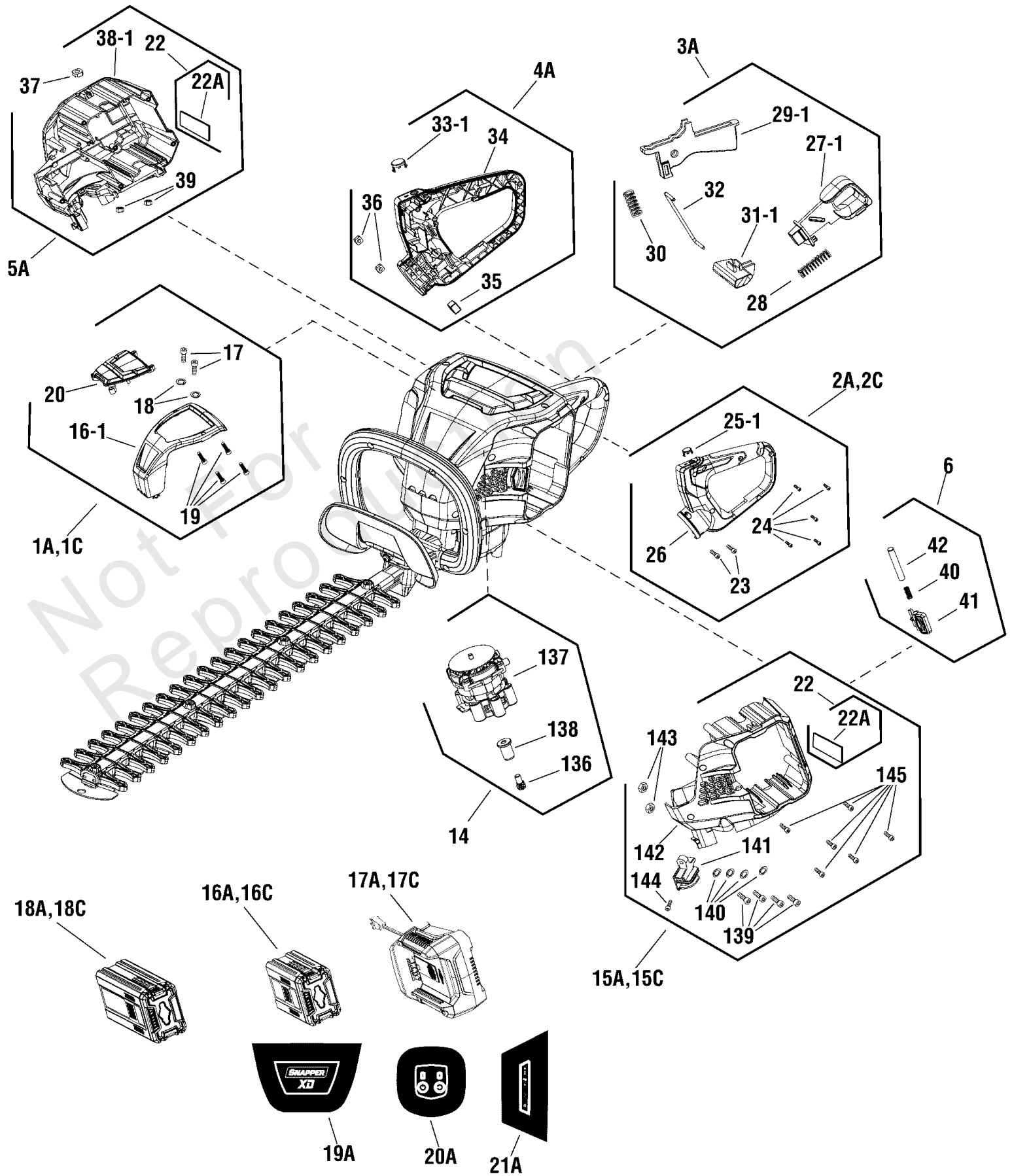
Powerhead Group

REF NO	PART NO	QTY	DESCRIPTION
1A	770207	1	KIT, TOP COVER, NA
1C	770399	1	KIT, TOP COVER, EU
16-1		1	COVER, DECORATIVE
17		2	SCREW
18		2	SPRING WASHER
19		4	SCREW
20		1	RAIN CAP
2A	770208	1	KIT, LEFT HANDLE, NA
2C	770401	1	KIT, LEFT HANDLE, EU
23		2	SCREW
24		5	SCREW
25-1		1	BUTTON
26		1	LEFT HANDLE
3A	770209	1	KIT, TRIGGER & SAFETY BUTTON, NA & EU
27-1		1	BUTTON
28		1	SPRING
29-1		1	TRIGGER SWITCH
30		1	SPRING, TORSION
31-1		1	BUTTON, LOCK-OUT
32		1	WIRE
4A	770210	1	KIT, RIGHT HANDLE, NA & EU
33-1		1	BUTTON, PCB
34		1	RIGHT HANDLE
35		1	PAD
36		2	NUT
5A	770211	1	KIT, RIGHT HOUSING, NA & EU
37		1	NUT
38-1		1	RIGHT HOUSING
39		2	NUT. M5
22	770549	1	KIT, PROTECTIVE COVER DECAL, CLEAR
22A		1	PROTECTIVE COVER DECAL, CLEAR
6	770212	1	KIT, BATTERY PACK BUTTON
40		1	SPRING
41		1	BATTERY RELEASE BUTTON
42		1	PIN
14	770220	1	KIT, MOTOR
136		1	CYLINDRICAL PIN
137	CM-361011468S	1	MOTOR
138	CM-341211205	1	AXLE SLEEVE
15A	770221	1	KIT, LEFT HOUSING, NA
15C	770403	1	KIT, LEFT HOUSING, EU
140		4	COMPRESSED SPRING
139		4	SCREW
141		1	CLAMP
142		1	LEFT HOUSING
143		2	NUT. M5
144		1	NUT
145		7	SCREW
22	770549	1	KIT, PROTECTIVE COVER DECAL, CLEAR
22A		1	PROTECTIVE COVER DECAL, CLEAR
16A	1760266	1	BATTERY, 2AH, NA -(Option)

Powerhead Group

Note: Unless noted otherwise, use the standard torque specifications

Mfg. No: 1696770-00



Powerhead Group

REF NO	PART NO	QTY	DESCRIPTION
16C	1760514	1	BATTERY, 2AH, EU -(Option)
17A	1760263	1	CHARGER, RAPID, NA -(Option)
17C	1760624	1	CHARGER, RAPID, EU -(Option)
18A	1760265	1	BATTERY, 4AH, NA -(Option)
18C	1760515	1	BATTERY, 4AH, EU -(Option)
19A	770493	1	DECAL, SNAPPER XD SHROUD
20A	770494	1	DECAL, POWER JAM
21A	770496	1	DECAL, CHARGER INDICATOR

Not For
Reproduction

Hardware Identification & Torque Specifications

Torque Specification Chart								
FOR STANDARD METRIC MACHINE HARDWARE (Tolerance ± 20%)								
Property Class	5.6		8.8		10.9		12.9	
	Class 5.6		Class 8.8		Class 10.9		Class 12.9	
Size Of Hardware	in/lbs	Nm.	in/lbs	Nm.	in/lbs	Nm.	in/lbs	Nm.
	ft/lbs		ft/lbs		ft/lbs		ft/lbs	
M3	5.88	.56	13.44	1.28	19.2	1.80	22.92	2.15
M4	13.44	1.28	30.72	2.90	43.44	4.10	52.56	4.95
M5	26.4	2.50	60.96	5.75	5.97	8.10	7.15	9.7
M6	44.64	4.3	7.3	9.9	10.3	14	12.1	16.5
M7	5.2	7.1	12.1	16.5	16.9	23	19.9	27
M8	7.7	10.5	17.7	24	25	34	29	40
M10	15	21	35	48	50	67	59	81
M12	26	36	61	83	86.2	117	103	140
M14	42	58	101	132	136	185	162	220
M16	64	88	147	200	210	285	250	340
M18	89	121	202	275	287	390	346	470
M20	126	171	290	390	405	550	486	660
M22	169	230	390	530	559	745	656	890
M24	217	295	497	375	708	960	840	1140
M27	320	435	733	995	1032	1400	1239	1680
M30	435	590	995	1350	1401	1900	1681	2280
M33	590	800	1349	1830	1902	2580	2278	3090
M36	759	1030	1740	2360	2441	3310	2935	3980
M39	988	1340	2249	3050	3163	4290	3798	5150

Torque Specification Chart						
FOR STANDARD MACHINE HARDWARE (Tolerance ± 20%)						
Hardware Grade	No Marks		SAE Grade 5		SAE Grade 8	
	SAE Grade 2		SAE Grade 5		SAE Grade 8	
Size Of Hardware	in/lbs	Nm.	in/lbs	Nm.	in/lbs	Nm.
	ft/lbs		ft/lbs		ft/lbs	
8-32	19	2.1	30	3.4	41	4.6
8-36	20	2.3	31	3.5	43	4.9
10-24	27	3.1	43	4.9	60	6.8
10-32	31	3.5	49	5.5	68	7.7
1/4-20	66	7.6	8	10.9	12	16.3
1/4-28	76	8.6	10	13.6	14	19.0
5/16-18	11	15.0	17	23.1	25	34.0
5/16-24	12	16.3	19	25.8	29	34.0
3/8-16	20	27.2	30	40.8	45	61.2
3/8-24	23	31.3	35	47.6	50	68.0
7/16-14	30	40.8	50	68.0	70	95.2
7/16-20	35	47.6	55	74.8	80	108.8
1/2-13	50	68.0	75	102.0	110	149.6
1/2-20	55	74.8	90	122.4	120	163.2
9/16-12	65	88.4	110	149.6	150	204.0
9/16-18	75	102.0	120	163.2	170	231.2
5/8-11	90	122.4	150	204.0	220	299.2
5/8-18	100	136	180	244.8	240	326.4
3/4-10	160	217.6	260	353.6	386	525.0
3/4-16	180	244.8	300	408.0	420	571.2
7/8-9	140	190.4	400	544.0	600	816.0
7/8-14	155	210.8	440	598.4	660	897.6
1-8	220	299.2	580	788.8	900	1,244.0
1-12	240	326.4	640	870.4	1,000	1,360.0

The guides and ruler furnished below are designed to help you select the appropriate hardware.

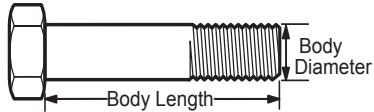


Nut, M8

Thread Diameter (mm)

Inside Diameter (in) Threads per inch

Nut, 1/2-16



Screw, M8- 1.25 x 25

Thread Diameter (mm) Distance between threads (mm) Body Length (mm)

Body Diameter Threads per inch Body Length (in)

Screw, 1/2- 16 x 2



Standard Hardware Sizing

When a washer or nut is identified as 1/2" (M8), this is the *Nominal size*, meaning the *inside diameter* is 1/2 inch (8mm metric thread diameter); if a second number is present it represents the *threads per inch* (distance between threads).

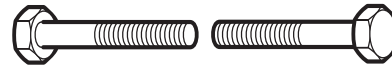
When bolt or capscrew is identified as 1/2 - 16 x 2" (M8 - 1.25 x 50), this means the *Nominal size*, or body diameter is 1/2 inch (8mm metric thread diameter), the second number, 16, represents the *threads per inch*, (*distance between threads*). The final number is the body length of the bolt or screw, 2 inches (50mm).

NOTES

- These torque values are to be used for all hardware excluding: locknuts, self-tapping screws, thread forming screws, sheet metal screws and socket head setscrews.
- Recommended seating torque values for locknuts:
 - for prevailing torque locknuts - use 65% of grade 5 torques.
 - for flange whizlock nuts and screws - use 135% of grade 5 torques.
- Unless otherwise noted on assembly drawings, all torque values must meet this specification.

Common Hardware Types

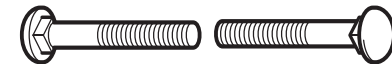
Hex Head Capscrew



Washer



Carriage Bolt



Hex Nut

Wrench & Fastener Size Guide

1/4" Bolt or Nut Wrench—7/16"	5/16" Bolt or Nut Wrench—1/2"	3/8" Bolt or Nut Wrench—9/16"	7/16" Bolt or Nut Wrench (Bolt)—5/8" Wrench (Nut)—11/16"	1/2" Bolt or Nut Wrench—3/4"
M6 Bolt or Nut Wrench—10mm	M8 Bolt or Nut Wrench—13mm	M10 Bolt or Nut Wrench—17mm	M12 Bolt or Nut Wrench—19mm	M14 Bolt or Nut Wrench—22mm

